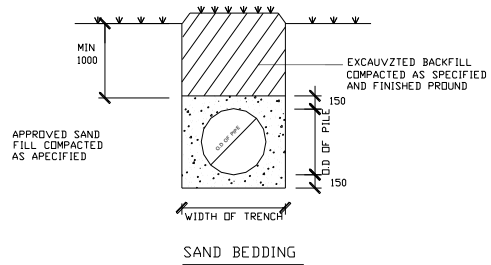
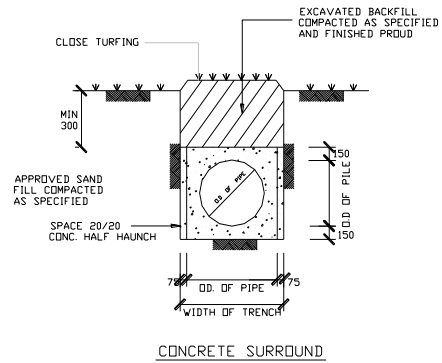
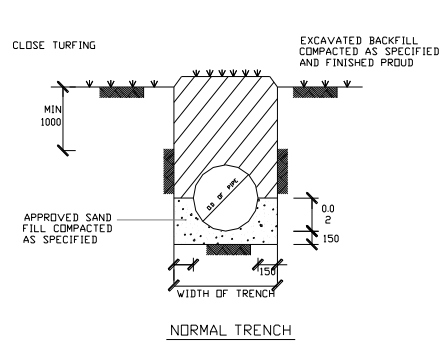
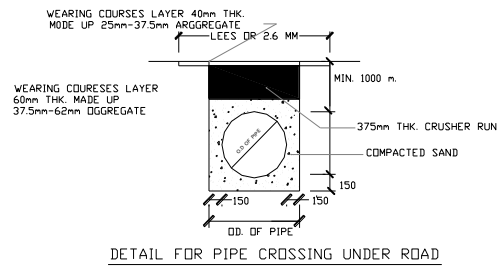


LUKISAN – LUKISAN TEKNIKAL



NOTES

1. PIPE TO BE SURE DONE IN CONCRETE IN COVER LESS THAN ONE METER
2. PIPE TO BE HAMCH IF PIPE MAKE UP GROUND OF COVER MORE



Note :



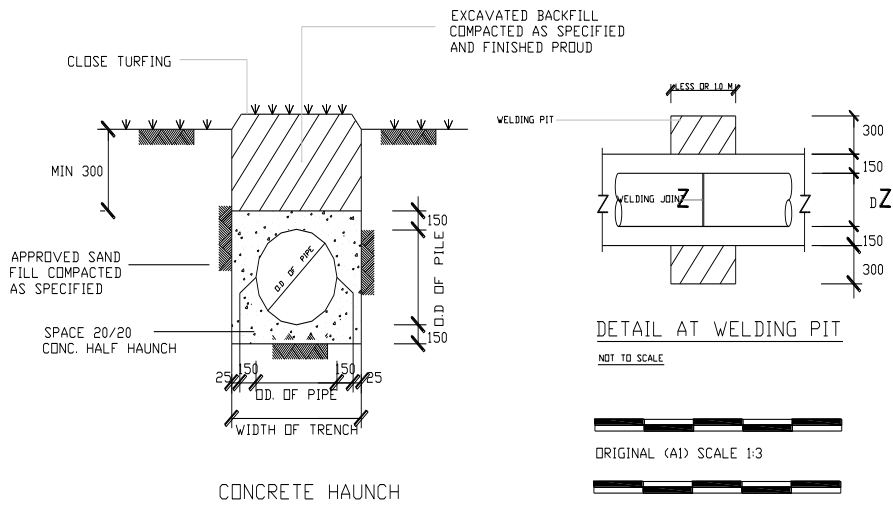
SYARIKAT AIR MELAKA BHD

TITLE :

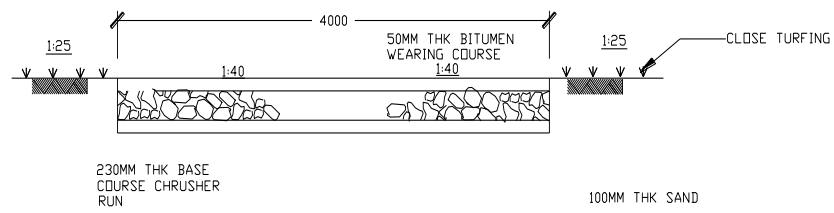
TYPICAL BEDDING DETAILS.

DRAWING NO:

SAMB / 2005 / 01



CONCRETE HAUNCH



TYPICAL SECTION OF ACCESS ROAD

Note :




SYARIKAT AIR MELAKA BHD

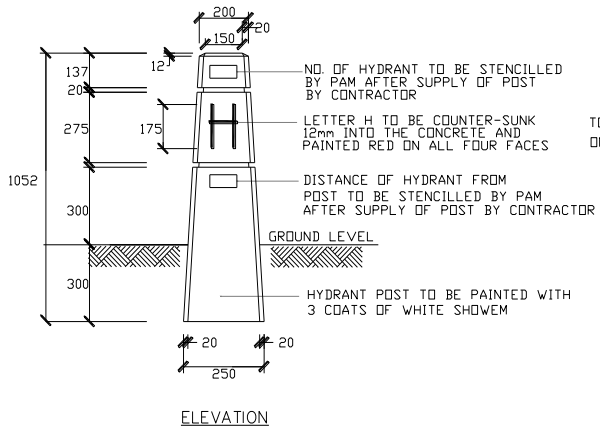
TITLE :

TYPICAL BEDDING DETAILS .

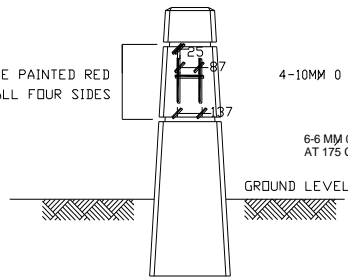
DRAWING NO:

SAMB / 2005 / 02

	Note :
	 SYARIKAT AIR MELAKA BHD
	TITLE : TYPICAL DETAILS OF MARKER POST.
	DRAWING NO: SAMB / 2005 / 03



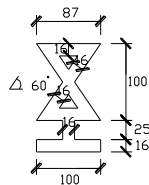
TO BE PAINTED RED ON ALL FOUR SIDES



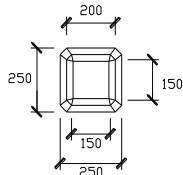
SIDE ELEVATION



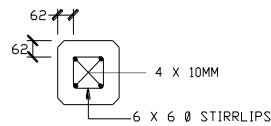
SECTION



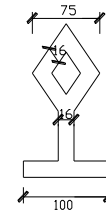
SCOUR VALVE
 SCALE : 1 : 2



PLAN



SECTIONAL PLAN



AIR VALVE
 SCALE : 1 : 2

Note :



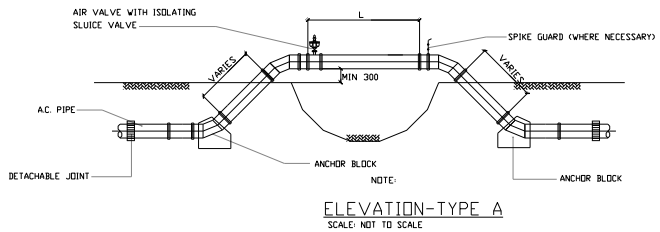
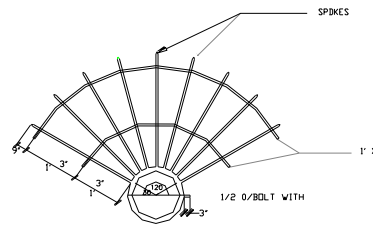
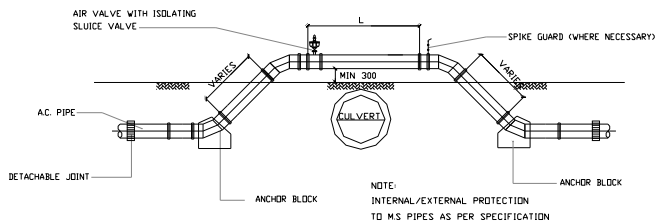
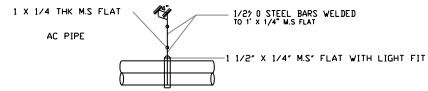
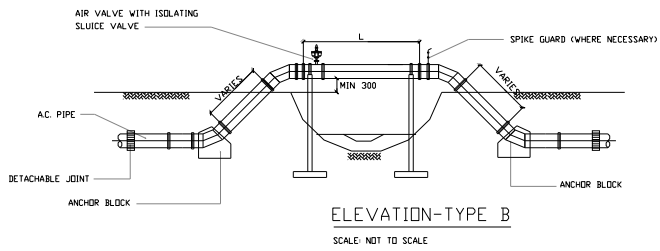
SYARIKAT AIR MELAKA BHD

TITLE :

TYPICAL DETAILS OF MARKER POST.

DRAWING NO:

SAMB / 2005 / 04



Note :



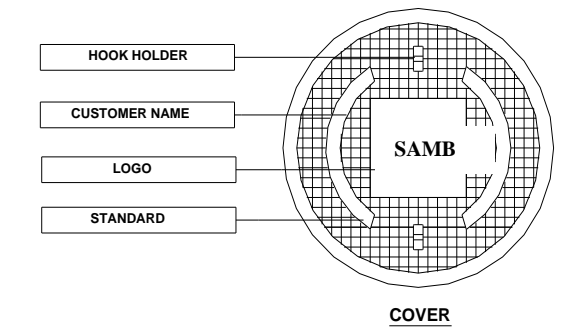
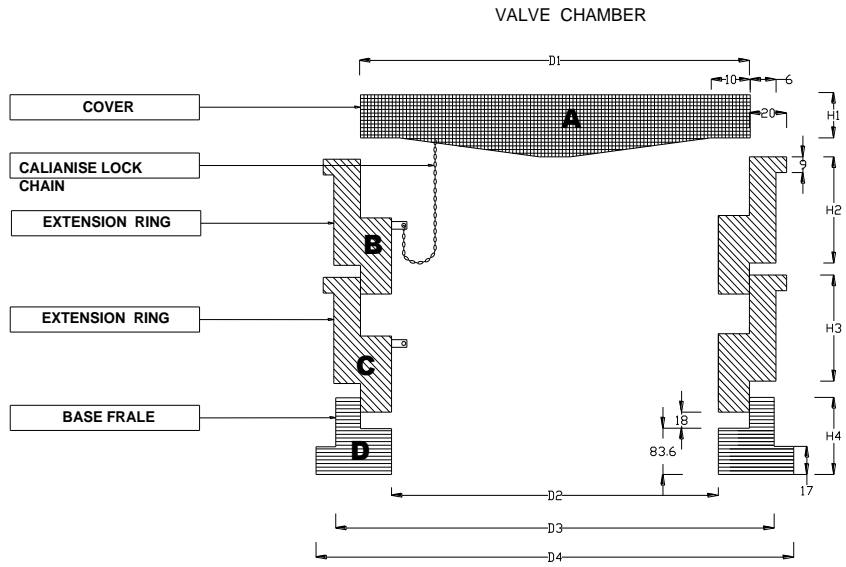
SYARIKAT AIR MELAKA BHD

TITLE :

TYPICAL DETAILS OF PIPE CROSSING AND SPIKED GUARD.

DRAWING NO:

SAMB / 2005 / 05



CLASS	TOLERANCE MM	D1	D2	D3	D4	H1	H2	H3	H4
		340	320	352	440	18	254	254	101.6

BREAKING LOAD	COVER	EXTENSION RING	EXTENSION RING	BASE FRAME	GALVANISE LOCK CHAIN
40 MT	A	B	C	D	E

MATERIAL : DUCTILE IRON - GRADE 500/7 - BS 2789
 COATING : BLOCK EPOXY - JOTAMASTIC 87
 BRAND : MODEL - 666

Note :



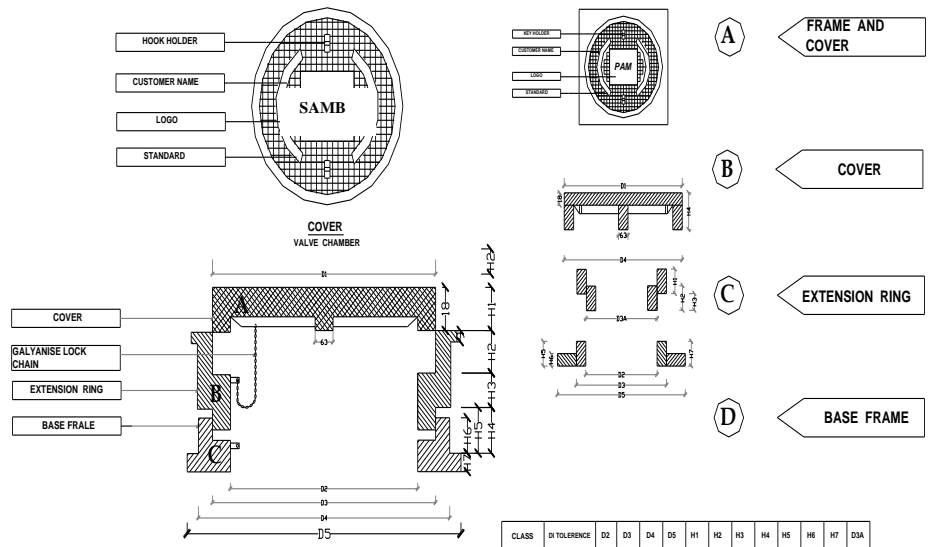
SYARIKAT AIR MELAKA BHD

TITLE :

TYPICAL DETAILS OF DUCTILE IRON CHAMBER COVER ON THE ROAD.

DRAWING NO:

SAMB / 2005 / 06



CLASS	D1 TOLERANCE	D2	D3	D4	D5	H1	H2	H3	H4	H5	H6	H7
D 400	±2	600	624	648	700	91	16	16	16	16	90	100

BREAKING LOAD	COVER	EXTENSION RING	BASE FRAME
40 MT	A	B	C

TYPICAL DETAIL OF DUCTILE IRON CHAMBER COVER ON THE ROAD

CLASS	D1 TOLERANCE	D2	D3	D4	D5	H1	H2	H3	H4	H5	H6	H7	D14
D 400	±2	600	624	648	700	16	82	16	90	90	10	100	82

BREAKING LOAD	FRAME AND COVER	COVER	EXTENSION RING	BASE FRAME
40 MT	A	B	C	D

STANDARD : CLASS D 400 (700 X 700 X 100 X Ø 500 mm)

MATERIAL : DUCTILE IRON TO 150 1083 GRADE 500/7.

COATING : BALCK SYNTHETIC RESIN RASPED PAINT.

TYPICAL DETAIL OF DUCTILE IRON CHAMBER COVER ON THE ROAD

Note :



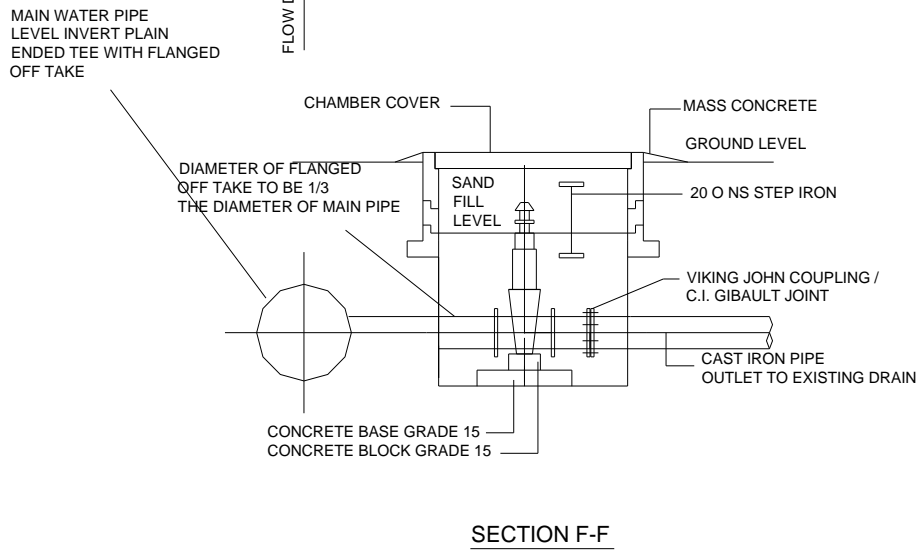
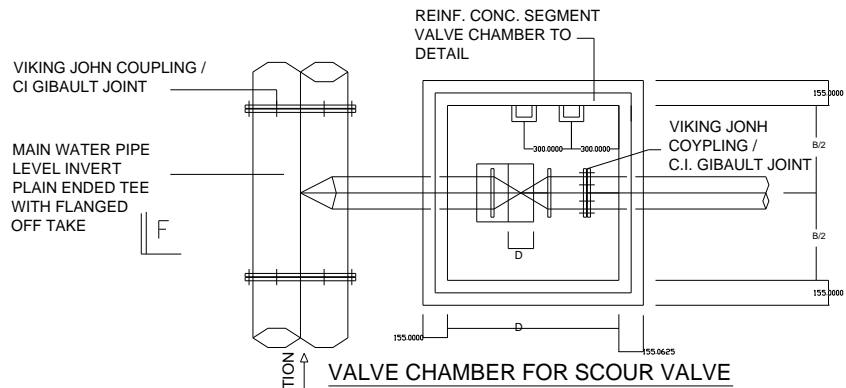
SYARIKAT AIR MELAKA BHD

TITLE :

TYPICAL DETAILS OF DUCTILE IRON CHAMBER COVER ON THE ROAD.

DRAWING NO:

SAMB / 2005 / 07



Note :



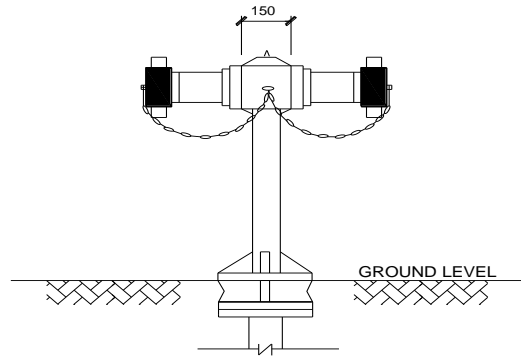
SYARIKAT AIR MELAKA BHD

TITLE :

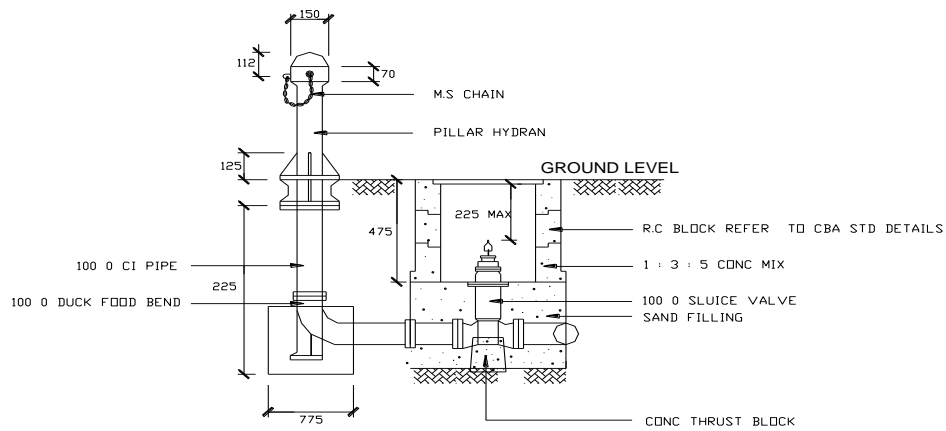
TYPICAL DETAILS OF SCOUR VALVE CHAMBER.

DRAWING NO:

SAMB / 2005 / 08



DOUBLE OUTLET PILLAR HYDRANT



**FIRE HYDRANT
(TO MANUFACTURER'S DETAIL)**

Note :

All dimension are in mm unless otherwise stated.



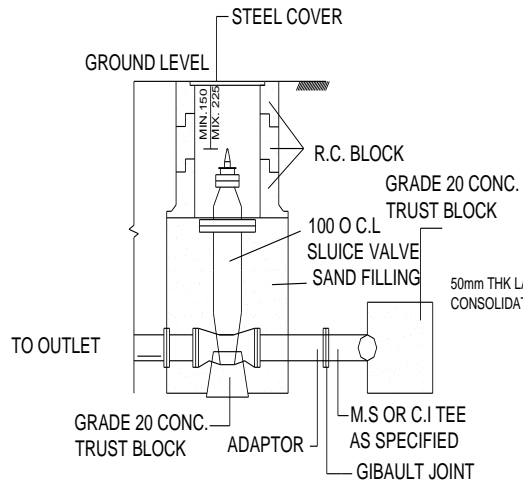
SYARIKAT AIR MELAKA BHD

TITLE :

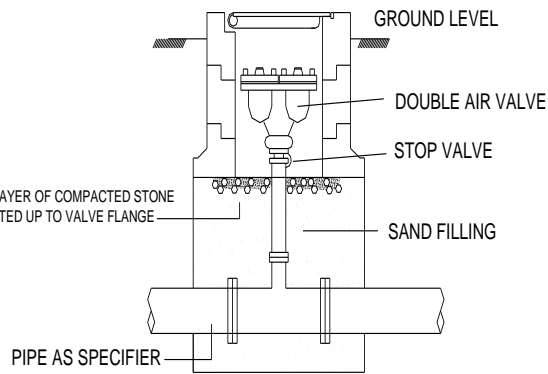
TYPICAL DETAILS OF DOUBLE OUTLET PILLAR HYDRANT.

DRAWING NO:

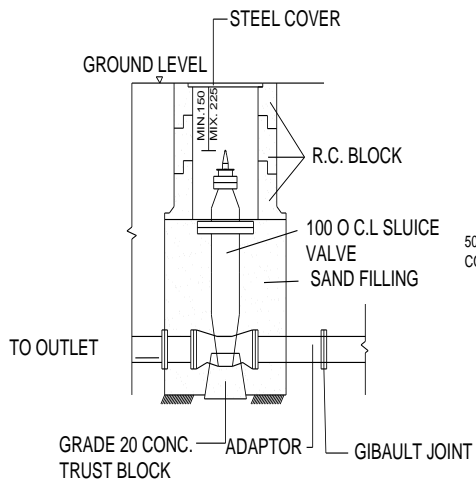
SAMB / 2005 / 09



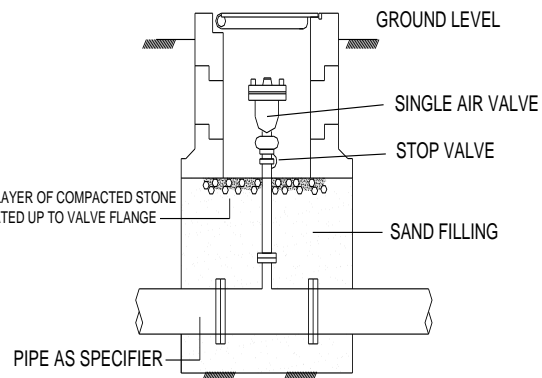
SCOUR VALVE



DOUBLE BALL AIR VALVE



ISOLATING VALVE



SINGLE BALL AIR VALVE

Note :

All dimension are in mm unless otherwise stated.



SYARIKAT AIR MELAKA BHD

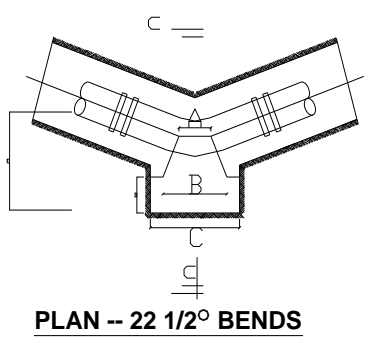
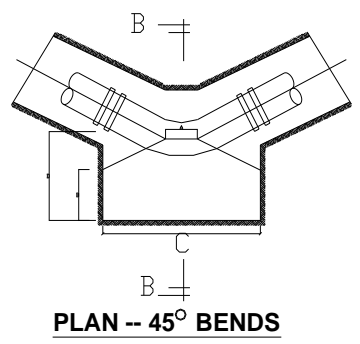
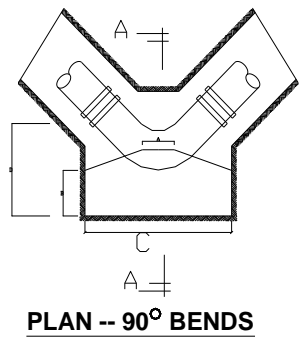
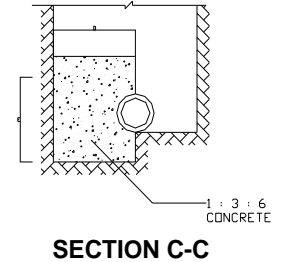
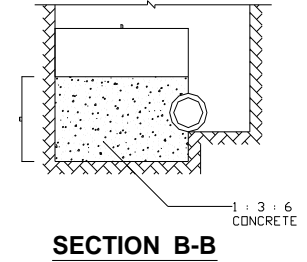
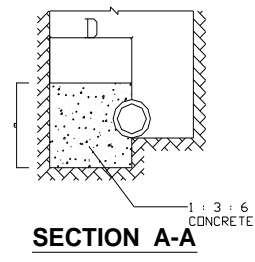
TITLE :

TYPICAL DETAILS OF INSTALLATION OF SCOUR, ISOLATING AND AIR VALVE.

DRAWING NO:

SAMB / 2005 / 10

90° BENDS						45° BENDS						22 1/2° BENDS					
PIPE DIAMETER	A	B	C	D	E	PIPE DIAMETER	A	B	C	D	E	PIPE DIAMETER	A	B	C	D	E
100	225	225	525	375	600	100	225	150	450	375	450	100	150	150	375	300	300
150	300	300	825	450	750	150	300	225	600	450	600	150	150	150	525	300	525
200	375	300	1050	600	900	200	300	300	900	600	675	200	225	225	675	375	525
250	450	300	1275	750	1050	250	375	300	975	600	875	250	225	300	750	525	675
300	525	375	1350	825	1350	300	450	375	1125	675	975	300	300	300	1050	525	825
400	600	450	1750	900	1750	400	525	450	1500	750	1125	400	450	450	1050	700	900
450	675	525	2000	925	2000	450	600	525	1575	825	1350	450	525	525	1125	825	975



Note :



SYARIKAT AIR MELAKA BHD

TITLE :

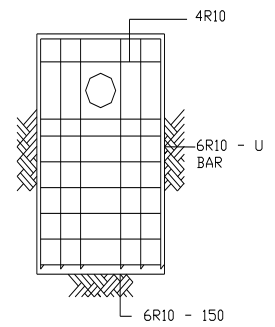
TYPICAL DETAILS OF ANCHOR BLOCK (HORIZONTAL BENDS).

DRAWING NO:

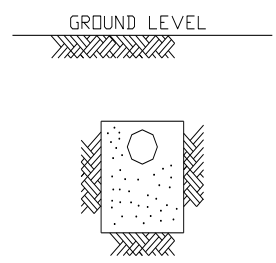
SAMB / 2005 / 11

22 1/2 VERTICAL BEND (DOWNWARDS)							22 1/2 VERTICAL BEND (UPWARDS)							
TEE PIPE SIZE	A	B	C	D	E	F	PIPE DIAMETER	A	B	C	D	E	F	G
200	225	900	300	200	825	825	200	150	375	600	200	200	225	525
250	225	1050	375	225	900	900	250	200	450	675	225	225	300	575
300	300	1350	450	225	1050	975	300	225	600	825	300	300	375	750
400	375	1425	525	375	1200	1125	400	300	750	1050	375	375	450	900
450	525	1575	650	500	1425	1300	450	375	825	1125	450	450	525	1050
600	600	1650	700	600	1500	1400	500	450	900	1250	500	500	600	1125
700	675	1725	750	650	1575	1500	600	525	875	1300	600	600	650	1300
							700	600	1050	1400	650	650	700	1375

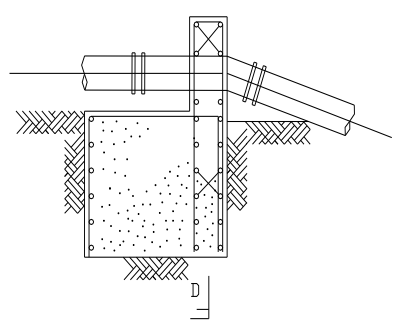
Note :



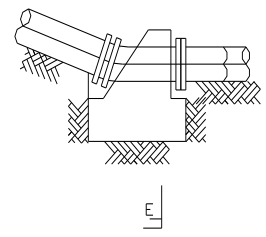
SECTION D-D



SECTION E-E



SECTION 22°1/2 VERTICAL BEND (DOWN WORDS)



SECTION 22°1/2 VERTICAL BEND (UPWARDS)



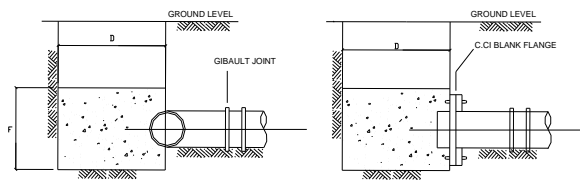
SYARIKAT AIR MELAKA BHD

TITLE :

TYPICAL DETAILS OF ANCHOR BLOCK (VERTICAL BENDS).

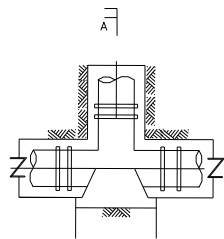
DRAWING NO:

SAMB / 2005 / 12

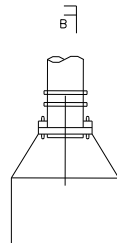


SECTION F-F

SECTION G-G



A
TEE



B
END CAP

TEE PIPE SIZE	TEE						END CAP					
	A	B	C	D	E	F	PIPE DIAMETER	A	B	C	D	E
100 X 100	150	225	450	375	225	225	100	300	300	450	375	450
100 X 150	150	225	450	525	225	300	150	350	325	600	450	675
100 X 200	225	225	600	450	300	300	200	400	375	850	600	825
150 X 150	150	225	450	450	225	375	250	450	450	1050	750	1050
150 X 200	225	225	600	450	300	375	300	500	550	1200	900	1250
150 X 250	225	225	600	450	450	450	400	600	600	1650	1125	1575
150 X 300	375	300	900	600	525	625	450	675	675	1725	1200	1850
150 X 400	225	225	600	450	300	300	500	750	750	1950	1350	2000
150 X 450	150	225	450	450	225	375	600	900	775	2350	1500	2350
200 X 200	225	225	600	450	300	375						
200 X 250	225	225	600	450	450	450						
200 X 300	375	300	900	600	525	625						
200 X 450	225	225	600	450	300	300						
250 X 250	150	225	450	450	225	375						
250 X 300	225	225	600	450	300	375						
200 X 400	225	225	600	450	450	450						
250 X 400	375	300	900	600	525	625						

Note :



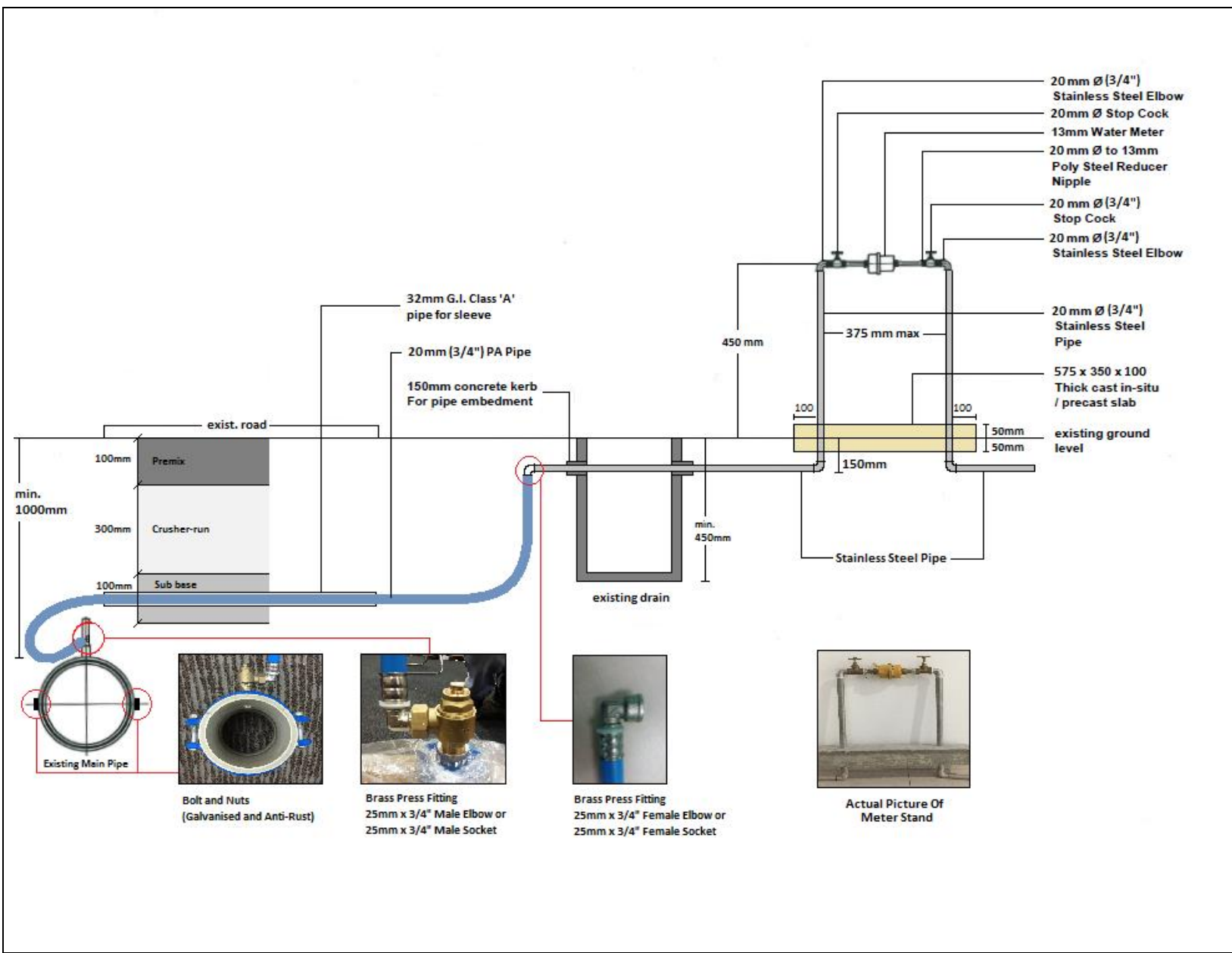
SYARIKAT AIR MELAKA BHD

TITLE :

DETAILS OF ANCHOR BLOCK (TEE AND END CAP).

DRAWING NO:

SAMB / 2005 / 13

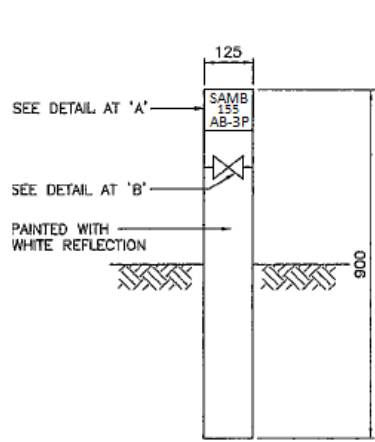


Note :
 1. ALL DIMENSIONS ARE IN MILLIMETRE UNLESS OTHERWISE STATED.

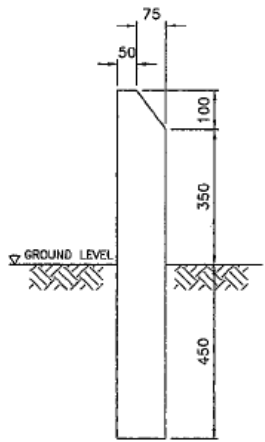


TITLE :
 TYPICAL METER STAND AND TAPPING APPLICATION

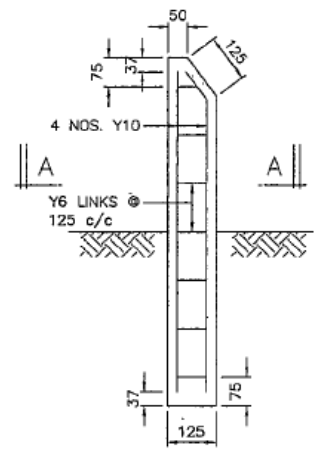
DRAWING NO:
 SAMB/01/2017



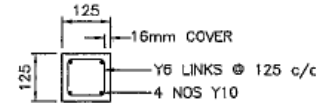
FRONT
SCALE:- 1:10



SIDE
SCALE:- 1:10



SECTION
SCALE:- 1:10



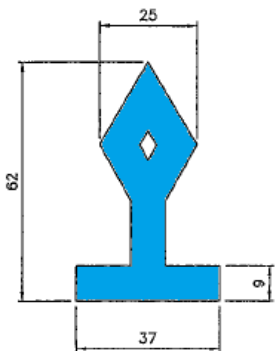
SECTION A-A
SCALE:- 1:10

SAMB
155
AB-3P

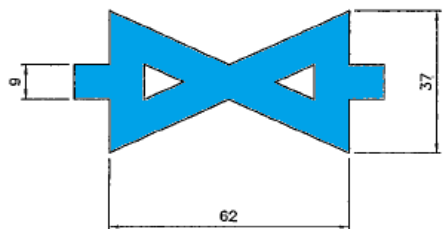
NOTES :

1. ALL LETTERS ARE TO BE COUNTERSUNK BY 6mm AND PAINTED WITH RED.
2. DENOTES TO THE SIZE AND TYPE OF PIPE

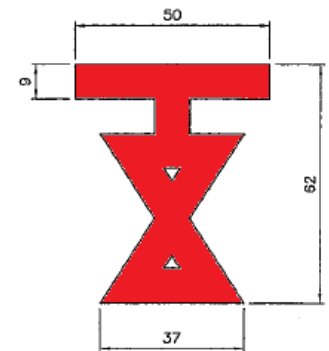
DETAIL 'A'
SCALE:- 1:5



SYMBOL FOR AIR VALVE
SCALE:- 1:1



SYMBOL FOR SLUICE VALVE
SCALE:- 1:1



SYMBOL FOR SCOUR VALVE
SCALE:- 1:1

NOTES :

1. CONCRETE MIX. TO BE GRADE 25 (16mm GAUGE).
2. HYDRANT POST & PIPE MARKER TO BE PAINTED WITH 3 COATS OF CEMENT BASE WHITE PAINT.

SAMB
155
AB-3P

SYMBOL FOR PIPE MARKER
SCALE:- 1:1

Note :
1. ALL DIMENSIONS ARE IN MILLIMETRE UNLESS OTHERWISE STATED.



SYARIKAT AIR MELAKA BERHAD

TITLE :
SKEMATIC DRAWING FOR PIPE INDICATOR

DRAWING NO:
SAMB/02/2016

